

# ELMARK<sup>®</sup>

The Brand of Electricity

## LED PANELS ROUND STELLAR

## SURFACE MOUNT

### GENERAL INFORMATION »

- ∴ Rated voltage: 230V/ 50-60Hz
- ∴ Power: 12W; 18W; 24W;
- ∴ Power supply: Control gear; DC device- driver
- ∴ Colour temperature: 2700K; 4000K; 6500K
- ∴ LED source: Epistar SMD 2835
- ∴ Colour: White;
- ∴ Body: Aluminium
- ∴ Beam angle: 120°
- ∴ Colour rendering index: Ra≥80
- ∴ Switch on/off: >10 000
- ∴ Long life: 15 000h
- ∴ Starting time: < 0,5s
- ∴ Power factor:  $\lambda > 0,8$
- ∴ Installation: Surface mounting
- ∴ Protection against dust and moisture: IP40
- ∴ Available in variant with an emergency kit

### FEATURES »

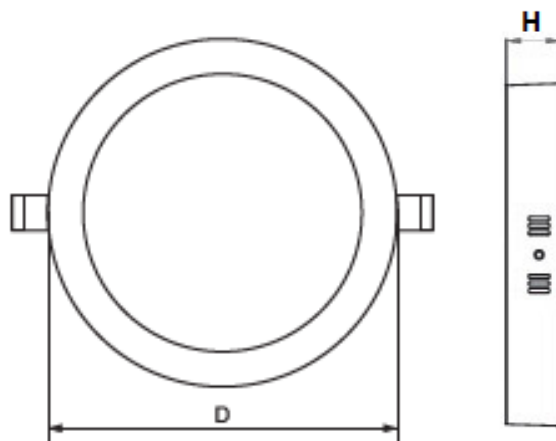
- ∴ Completely replace traditional fluorescent lighting
- ∴ Safety, low voltage operation
- ∴ Emit a very pleasant and even light with very low glare factor due to the diffusion lens
- ∴ Low power consumption
- ∴ Instant light with maximum luminous flux
- ∴ Environmentally friendly - do not emit mercury and lead
- ∴ No ultraviolet and infrared rays
- ∴ Resistant to shock and vibration
- ∴ Suitable for home, offices, halls, shops, hospitals



## PRODUCT DETAILS »

Catalogue number	Catalogue number with Emergency kit	Watt (W)	Whole fixture lumens (lm)	Colour temp. (K)	Colour body
99XLED626	-	12	840	2700	white
99XLED625	-	12	840	4000	white
99XLED625CW	-	12	840	6500	white
99XLED623	99XLED623E	18	1350	2700	white
99XLED622	99XLED622E	18	1350	4000	white
99XLED622CW	99XLED622CWE	18	1350	6500	white
99XLED628	99XLED628E	24	1800	2700	white
99XLED627	99XLED627E	24	1800	4000	white
99XLED627CW	99XLED627CWE	24	1800	6500	white

## DIMENSIONS »



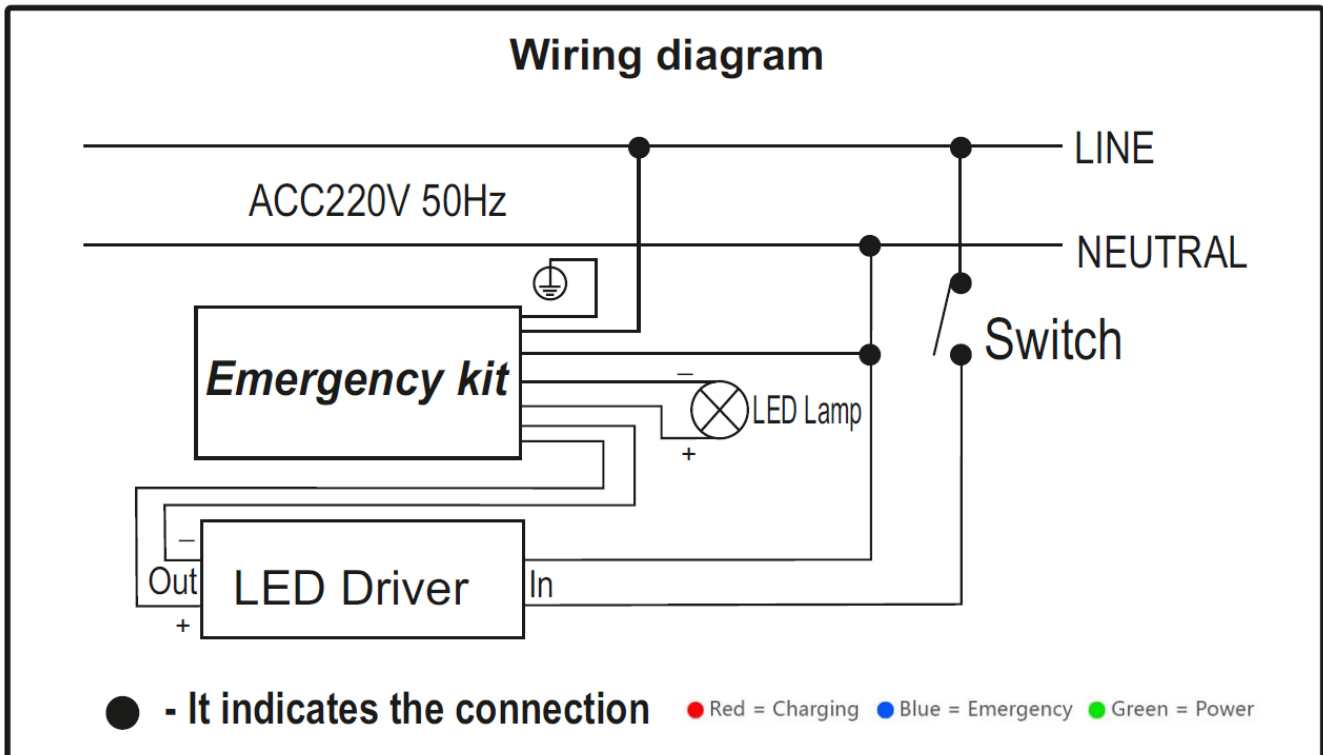
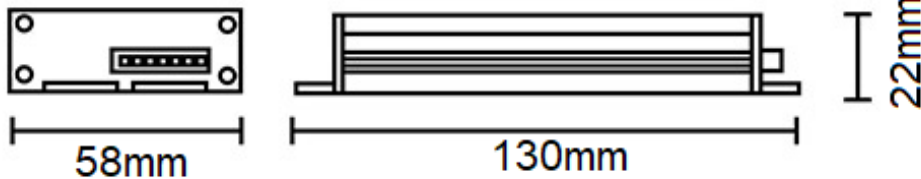
Catalogue number	Diameter (mm)	Height (mm)
99XLED626	165	32
99XLED625	165	32
99XLED625CW	165	32
99XLED623	219	32
99XLED622	219	32
99XLED622CW	219	32
99XLED628	295	32
99XLED627	295	32
99XLED627CW	295	32

## LED EMERGENCY KIT SPECIFICATIONS »




## General information »


- ∴ Voltage: AC85-265V 50Hz
- ∴ Emergency Output: 3-40W
- ∴ Emergency Time: 2hrs (120mins)
- ∴ Battery: 3.7V 2400mAh
- ∴ Emergency Switching Time: <2s
- ∴ AC Fuse: 250V 1A
- ∴ DC Fuse: 250V 5A
- ∴ Luminous Flux: >100lm
- ∴ Light Source: LED
- ∴ Working temperature: -10°C +55°C
- ∴ IP Rate: IP30




ADDITIONAL INFORMATION »

*stell*  99XLED626  
lighting solutions

---




This luminaire contains built-in LED lamps.



L  
E  
D

---

The lamps cannot be changed in the luminaire.

874/2012 

Catalogue number	Barcode	Packing/Box (pcs)
99XLED626	3800131198730	1/30
99XLED625	3800131198723	1/30
99XLED625CW	3800131210579	1/30
99XLED623	3800131198754	1/20
99XLED622	3800131198747	1/20
99XLED622CW	3800131210586	1/20
99XLED628	3800131198778	1/20
99XLED627	3800131198761	1/20
99XLED627CW	3800131210593	1/20

