

# ELMARK<sup>®</sup>

The Brand of Electricity

## PRAGUE SMD LED STREET LIGHT



### GENERAL INFORMATION »

- ∴ Input voltage: 230V 50/60Hz
- ∴ Power: 30W; 50W; 100W; 150W; 200W; 250W
- ∴ LED driver: Isolated driver
- ∴ Colour temperature: 3000K; 4000K; 5500K
- ∴ Light source: SMD3030
- ∴ Beam angle: 135\*70°
- ∴ Body: Aluminium/PC
- ∴ Surge Protection: 6kV
- ∴ Efficiency: 130lm/W
- ∴ Colour rendering index: Ra ≥ 80
- ∴ Average lifetime: 35 000h
- ∴ Ambient temperature: -25°C± +45°
- ∴ Protection against dust and moisture: IP65
- ∴ Available in variant with an emergency kit
- ∴ Approximate mounting height: 3-13m

### FEATURES »

- ∴ Completely replaces traditional street lamps
- ∴ Ultra- thin design
- ∴ Wide distribution of homogeneous, highly efficient light
- ∴ Economic- low power consumption
- ∴ Repeated switch on/off does not effect the fixture lifespan
- ∴ Instant light at maximum luminous flux
- ∴ Environmentally friendly - no mercury and lead
- ∴ No ultraviolet and infrared rays

## APPLICATION »

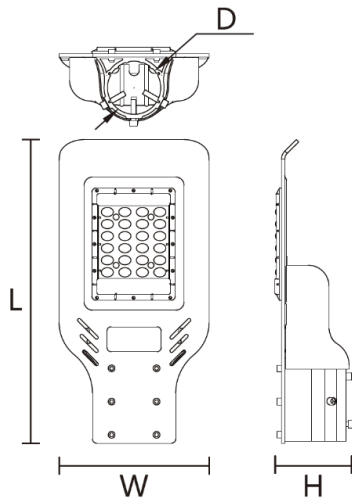
Widely used in main roads, highways, urban streets, flyover, schools, gardens, crosswalks and other road lighting and other places requiring outdoor lighting.



## PRODUCT DETAILS »

Catalogue number	Catalogue number with Emergency kit	Watt (W)	Whole fixture lumens (lm)	Colour temp (K)	Beam angle	Colour body	Approximate mount. height
98PRAGUE30SMD	98PRAGUE30/WWE	30	3900	3000	135*75°	Grey	3-5m
98PRAGUE30/W	98PRAGUE30/WE	30	3900	4000	135*75°	Grey	3-5m
98PRAGUE30SMD	98PRAGUE30SMDE	30	3900	5500	135*75°	Grey	3-5m
98PRAGUE50/WW	98PRAGUE50/WWE	50	6500	3000	135*75°	Grey	4-6m
98PRAGUE50/W	98PRAGUE50/WE	50	6500	4000	135*75°	Grey	4-6m
98PRAGUE50SMD	98PRAGUE50SMDE	50	6500	5500	135*75°	Grey	4-6m
98PRAGUE100/WW	98PRAGUE100/WWE	100	13000	3000	135*75°	Grey	6-8m
98PRAGUE100/W	98PRAGUE100/WE	100	13000	4000	135*75°	Grey	6-8m
98PRAGUE100SMD	98PRAGUE100SMDE	100	13000	5500	135*75°	Grey	6-8m
98PRAGUE150/WW	98PRAGUE150/WWE	150	19500	3000	135*75°	Grey	7-9m
98PRAGUE150/W	98PRAGUE150/WE	150	19500	4000	135*75°	Grey	7-9m
98PRAGUE150SMD	98PRAGUE150SMDE	150	19500	5500	135*75°	Grey	7-9m
98PRAGUE200/WW	98PRAGUE200/WWE	200	26000	3000	135*75°	Grey	10-12m
98PRAGUE200/W	98PRAGUE200/WE	200	26000	4000	135*75°	Grey	10-12m
98PRAGUE200SMD	98PRAGUE200SMDE	200	26000	5500	135*75°	Grey	10-12m
98PRAGUE250/WW	98PRAGUE250/WWE	250	32500	3000	135*75°	Grey	11-13m
98PRAGUE250/W	98PRAGUE250/WE	250	32500	4000	135*75°	Grey	11-13m
98PRAGUE250SMD	98PRAGUE250SMDE	250	32500	5500	135*75°	Grey	11-13m

## DIMENSIONS »



Model	Length (mm)	Height (mm)	Width (mm)	Diameter of the pole (mm)
98PRAGUE30SMD	410	200	82	45
98PRAGUE30/W	410	200	82	45
98PRAGUE30SMD	410	200	82	45
98PRAGUE50/WW	410	200	82	45
98PRAGUE50/W	410	200	82	45
98PRAGUE50SMD	410	200	82	45
98PRAGUE100/WW	545	230	86	45
98PRAGUE100/W	545	230	86	45
98PRAGUE100SMD	545	230	86	45
98PRAGUE150/WW	610	253	88	45
98PRAGUE150/W	610	253	88	45
98PRAGUE150SMD	610	253	88	45
98PRAGUE200/WW	660	265	89	45
98PRAGUE200/W	660	265	89	45
98PRAGUE200SMD	660	265	89	45
98PRAGUE250/WW	660	265	89	45
98PRAGUE250/W	660	265	89	45
98PRAGUE250SMD	660	265	89	45

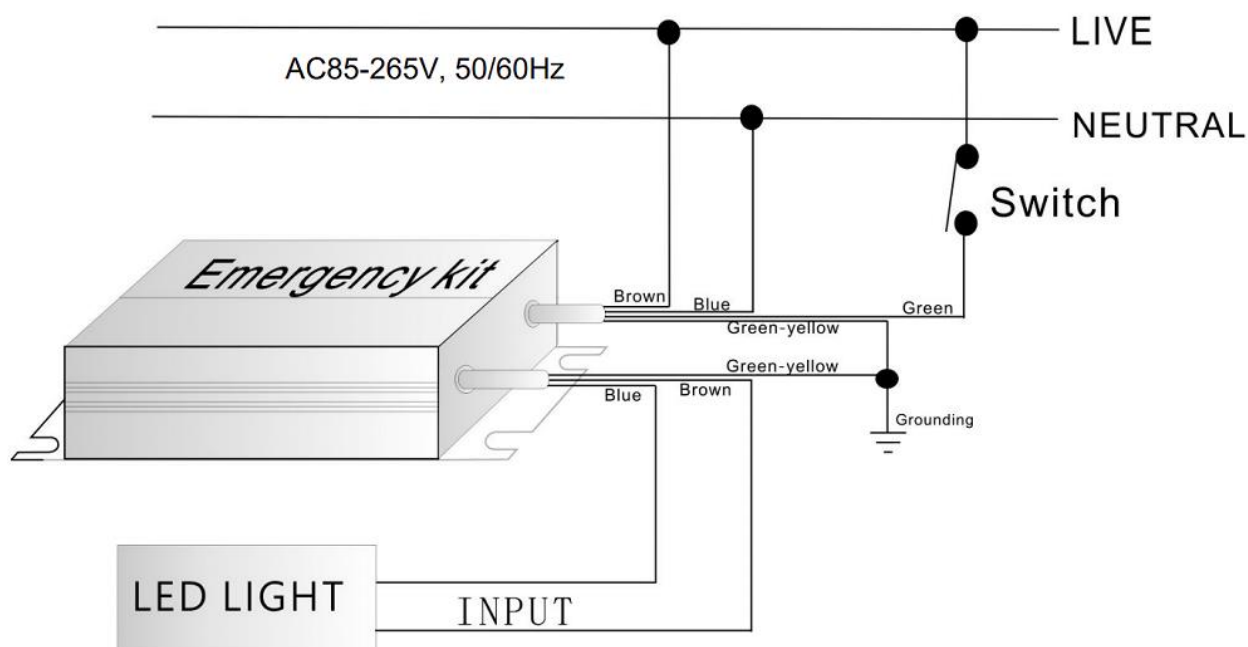
## EMERGENCY DRIVER SPECIFICATIONS »



### Technical data:

- ∴ Input voltage: 85-265V AC
- ∴ Battery: 18.5V 8800mAh
- ∴ Emergency switch time: <5s
- ∴ Suitable: for LED lamp with internal driver and power 20-100W
- ∴ Emergency time: 60-120min
- ∴ Working temperature: from -10 to +50°C
- ∴ Size: 290x105x50mm
- ∴ IP44

### Wiring diagram:

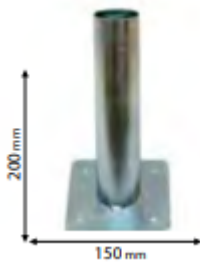


## INSTALLATION ACCESSORIES »

### Wall mounting accessories

Diam: 45mm

Catalogue number: 98POLE45



### POLE mounting accessories.

Diam: 45mm

Catalogue number: 98POLE45P

