

Position	Part Number	Descriptionb	QTY
27	P6622402701	Armature	1
28	P6622302801	Dust ring	1
29	P6622302901	Bearing 607-2RST	1
30	P6622403001	Bearing Bush	1
31	P6622403101	Baffle	1
32	P6622303201	Screw ST3.9X70	2
33	P6622403301	Stator	1
34	P6622403401	Housing	1
35	P6622403501	Carbon brush	2
36	P6622403601	Spring	2
37	P6622403701	Sunk Screw ST2.9X8	2
38	P6622403801	Brush holder	2
39	P6622403901	Capacitance	1
40	P6622304001	Speed adjustor	1
41	P6622404101	Rear cover	1
42	P6622304201	Tapping screw ST4.2X14	4
43	P6622304301	Push rod	1
44	P6622304401	Switch plate	1
45	P6622304501	Push rod spring	1
46	P6622404601	Switch	1
47	P6622304701	Cord clamp	1
48	P6622304801	Cord Sleeve	1
49	P6622304901	Cord	1
50	P6622305001	Side Handle	1
51	P6622405101	Spanner	1

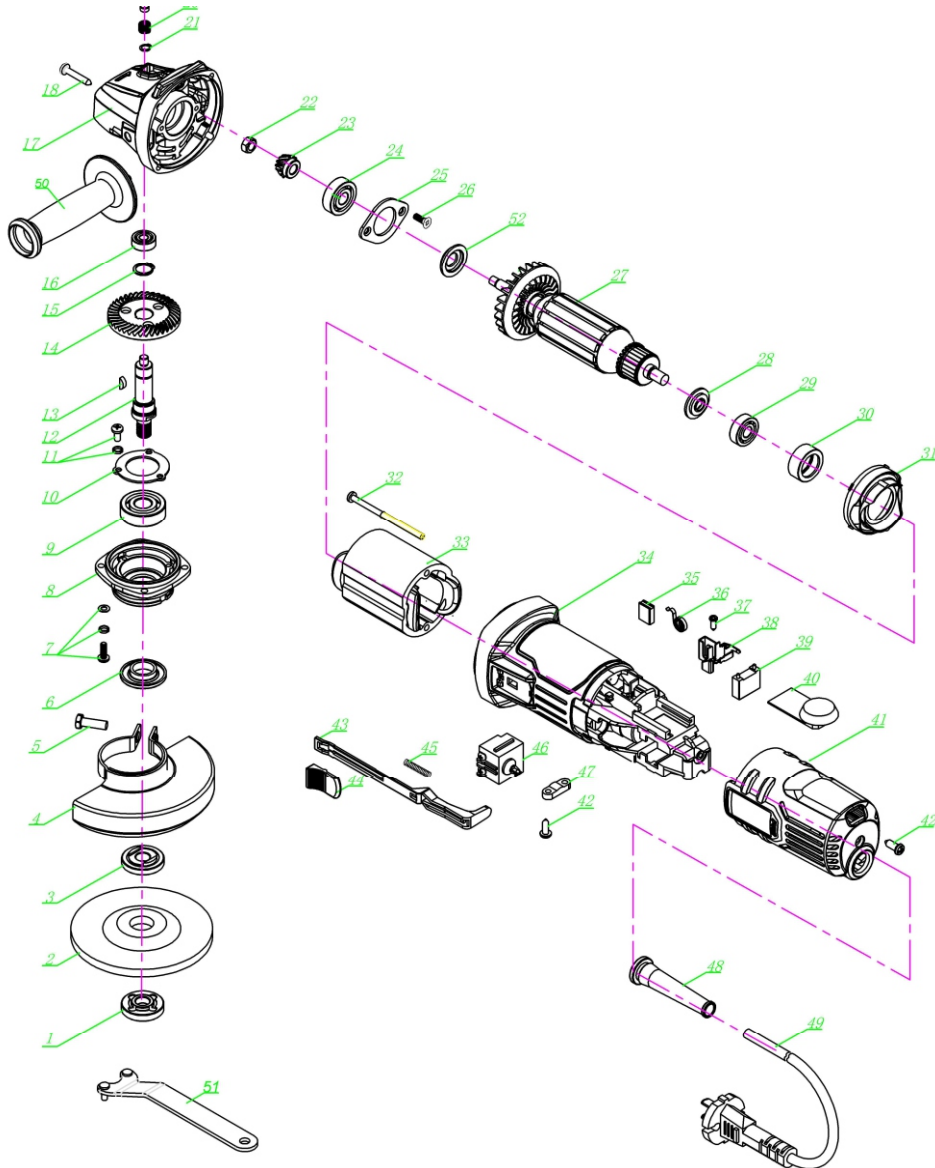
- Ⓟ BG Инструкция за монтаж и експлоатация
- Ⓟ EN Instruction for installation and use
- Ⓟ RO Instrucțiune de instalare și utilizare
- Ⓟ SRB Uputstvo za ugradnju i upotrebu
- Ⓟ HR Uputstvo za ugradnju i upotrebu
- Ⓟ BIH Uputstvo za ugradnju i upotrebu
- Ⓟ HU Szerelési és kezelési utasítás
- Ⓟ SLO Navodilo za vgradnjo in uporabo
- Ⓟ GR Οδηγισ για την εγκατασταση και τη χρηση
- Ⓟ MK Упатство за вградување и употреба
- Ⓟ SK Návod na montáž a používanie
- Ⓟ PL Instrukcja instalacji i użytkowania
- Ⓟ PT Instrução para instalação e uso
- Ⓟ IT Istruzioni per l'installazione e l'uso



- Ⓟ BG Ђглошлайф
- Ⓟ EN Angle Grinder
- Ⓟ RO Polizor unghiular
- Ⓟ SRB Kutna brusilica
- Ⓟ HR Uhlová brúska
- Ⓟ BIH Kutna brusilica
- Ⓟ HU Sarokcsiszoló
- Ⓟ SLO Kotni brusilnik
- Ⓟ GR Γωνιακός λειαντήρας
- Ⓟ MK Мелелка за агол
- Ⓟ SK Uhlová brúska
- Ⓟ PL Szlifierka kątowa
- Ⓟ PT Pebarbadora
- Ⓟ IT Smerigliatrice Angolare

**MANUAL INSTRUCTION**

Cat. number: 59501



Angle Grinder

Cat. number: 59501

Position	Part Number	Descriptionb	QTY
1	P6622300101	Outer flange	1
2	P6622300201	Grinding Wheel	1
3	P6622300301	Inner flange	1
4	P6622300401	Grinding wheel guar	1
5	P6622300501	Screw M6x18	1
6	P6622300601	Dust cover	1
7	P6622300701	Screw M4x14	4
8	P6622400801	Front cover	1
9	P6622300901	Bearing 6201-2RS	1
10	P6622401001	Bearing Clamp	1
11	P6622401101	Screw M4X10	2
12	P6622401201	Spindle M14	1
13	P6622301301	Key 3×3.7×10	1
14	P6622401401	Big gear	1
15	P6622301501	Ring spring 12	1
16	P6622301601	Bearing 696-2Z	1
17	P6622401701	Gear box	1
18	P6622301801	Screw ST4.2X22	4
19	P6622301901	Lock pin	1
20	P6622302001	Lock spring	1
21	P6622302101	Circlip Φ6	1
22	P6622302201	Hex nut M6	1
23	P6622402301	Small Bevel Gear	1
24	P6622302401	Bearing 608-2RST	1
25	P6622302501	Bearing clamp	1
26	P6622302601	Sunk Screw M4X12	2