

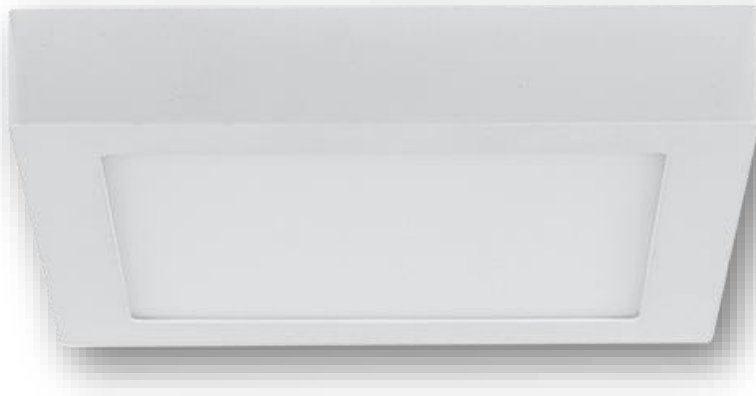
ELMARK[®]

The Brand of Electricity

LED PANELS SQUARE STELLAR SURFACE MOUNT

GENERAL INFORMATION »

- ∴ Rated voltage: 230V/ 50-60Hz
- ∴ Power: 18W; 24W
- ∴ Power supply: Control gear; DC device- driver
- ∴ Colour temperature: 4000K
- ∴ LED source: Epistar SMD 2835
- ∴ Colour: White
- ∴ Body: Aluminium
- ∴ Beam angle: 120°
- ∴ Colour rendering index: Ra≥80
- ∴ Switch on/off: >10 000
- ∴ Long life: 15 000h
- ∴ Starting time: < 0,5s
- ∴ Power factor: $\lambda > 0.55$
- ∴ Installation: Surface mounting
- ∴ Protection against dust and moisture: IP40
- ∴ Available in variant with an emergency kit



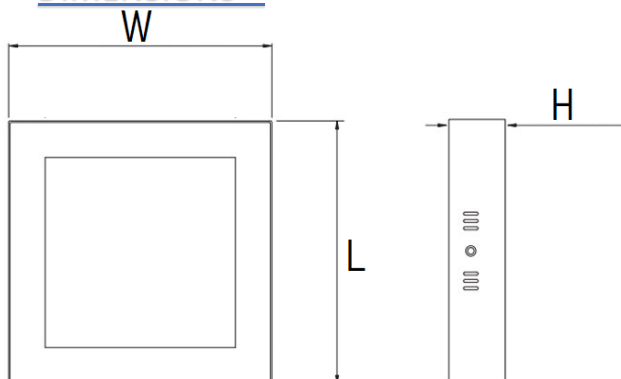
FEATURES »

- ∴ Completely replace traditional fluorescent lighting
- ∴ Safety, low voltage operation
- ∴ Emit a very pleasant and even light with very low glare factor due to the diffusion lens
- ∴ Low power consumption
- ∴ Instant light with maximum luminous flux
- ∴ Environmentally friendly - do not emit mercury and lead
- ∴ No ultraviolet and infrared rays
- ∴ Resistant to shock and vibration
- ∴ Suitable for home, offices, halls, shops, hospitals

PRODUCT DETAILS »

Catalogue number	Catalogue number with Emergency kit	Watt (W)	Whole fixture lumens (lm)	Colour temp. (K)	Colour body
99XLED969	99XLED969E	18	1350	4000	white
99XLED970	99XLED970E	24	1800	4000	white

DIMENSIONS »



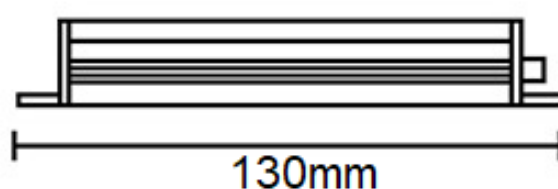
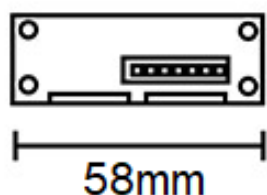
Catalogue number	Length (mm)	Width (mm)	Height (mm)
99XLED969	220	220	32
99XLED970	300	300	32

LED EMERGENCY KIT SPECIFICATIONS »

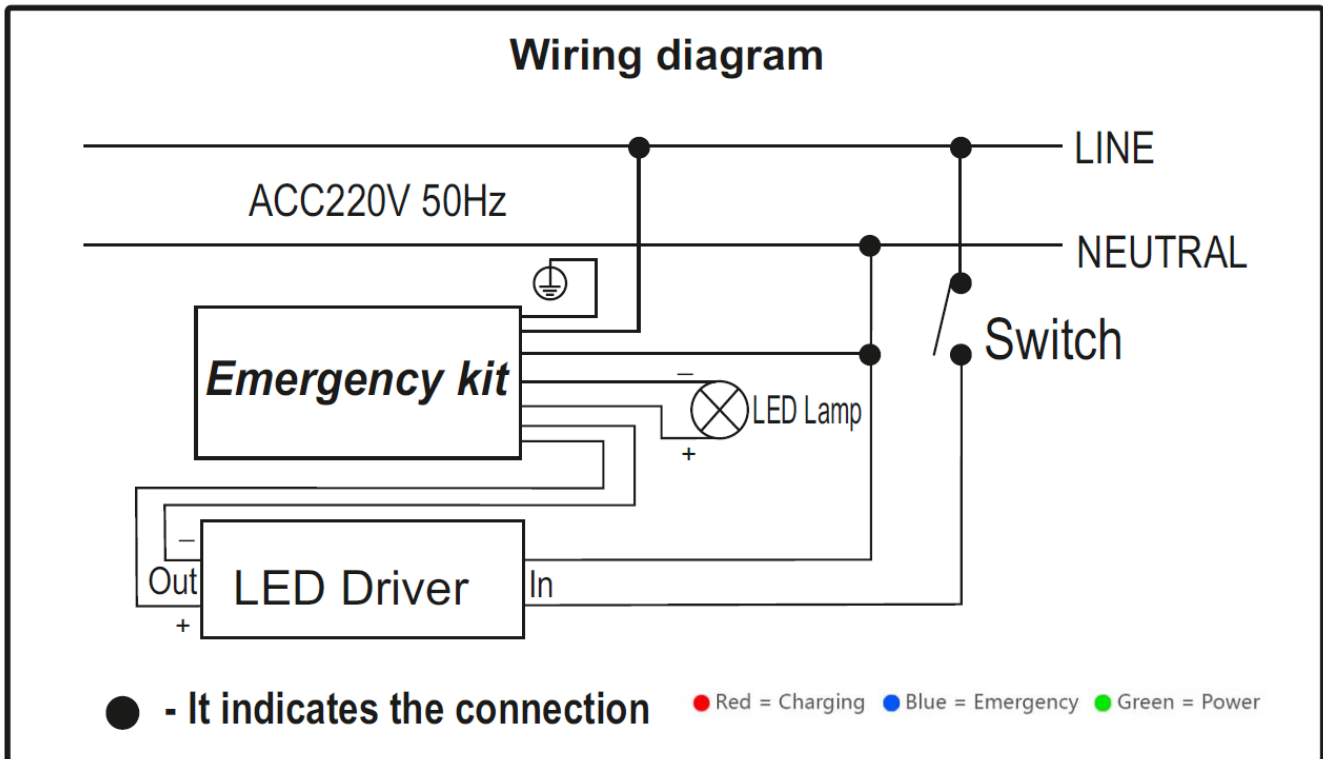


General information »

- ∴ Voltage: AC85-265V 50Hz
- ∴ Emergency Output: 3-40W
- ∴ Emergency Time: 2hrs (120mins)
- ∴ Battery: 3.7V 2400mAh
- ∴ Emergency Switching Time: <2s
- ∴ AC Fuse: 250V 1A
- ∴ DC Fuse: 250V 5A
- ∴ Luminous Flux: >100lm
- ∴ Light Source: LED
- ∴ Working temperature: -10°C +55°C
- ∴ IP Rate: IP30



22mm



ADDITIONAL INFORMATION »

stell★*r* lighting solutions 99XLED969

This luminaire contains built-in LED lamps.

A++

A+

A

B

C

D

E

}

L

E

D

The lamps cannot be changed in the luminaire.

874/2012

Catalogue number	Barcode	Packing/Box (pcs)
99XLED969	3800131218513	1/20
99XLED970	3800131218520	1/20

