

EL[®]MARK

The Brand of Electricity

LED PROFILES S77 SERIES

SURFACE MOUNTING



[GENERAL INFORMATION »](#)

- ∴ Rated voltage: 230V/ 50-60Hz
- ∴ Power: 24W; 48W; 64W
- ∴ Power supply: 42V SELV driver
- ∴ Colour temperature: 4000K
- ∴ Type of LED: SMD
- ∴ Colour: White; Black; Grey
- ∴ Body: Aluminium
- ∴ Reflector: Polycarbonate (PC)
- ∴ Clamps: Inox
- ∴ Beam angle: 90°
- ∴ Colour rendering index: Ra≥80
- ∴ Switch on/off: >15 000
- ∴ Long life: 20 000h
- ∴ Protection against dust and moisture: IP40
- ∴ Available in variant with an emergency kit

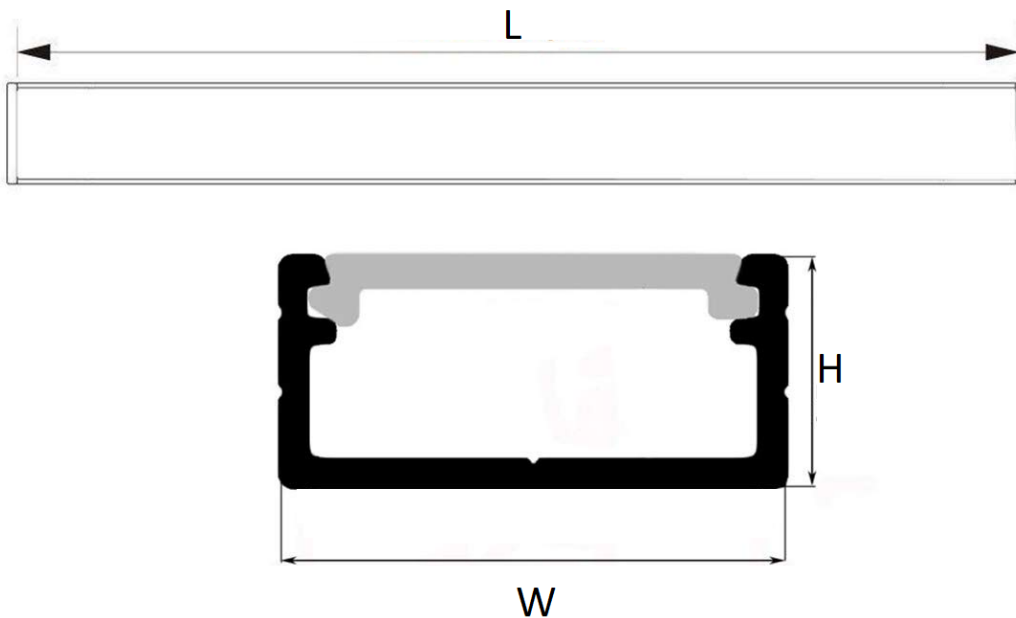
[FEATURES »](#)

- ∴ Elegant and practical luminaires
- ∴ Pleasant and uniform light distribution
- ∴ Best alternate For LED tubelites with decorative and aesthetic look
- ∴ Low power consumption
- ∴ Repeated switch on/off does not affect the lifespan
- ∴ Instant light with maximum luminous flux
- ∴ Environmentally friendly - no mercury and lead
- ∴ No ultraviolet and infrared rays
- ∴ Resistant to shock and vibration-free body
- ∴ Low heat emission
- ∴ Suitable for commercial sites, residence buildings, banks, offices

PRODUCT DETAILS »

Catalogue number	Catalogue number with Emergency kit	Colour	Watt (W)	Whole fixture lumens (lm)	Colour temp. (K)
99OM604024/BL	99OM604024/BL E	Black	24	2280	4000
99OM1204048/BL	99OM1204048/BLE	Black	48	4560	4000
99OM1504064/BL	-	Black	64	6080	4000
99OM604024/WH	99OM604024/WHE	White	24	2280	4000
99OM1204048/WH	99OM1204048/WHE	White	48	4560	4000
99OM1504064/WH	-	White	64	6080	4000
99OM604024/GR	99OM604024/GRE	Grey	24	2280	4000
99OM1204048/GR	99OM1204048/GRE	Grey	48	4560	4000
99OM1504064/GR	-	Grey	64	6080	4000

DIMENSIONS »



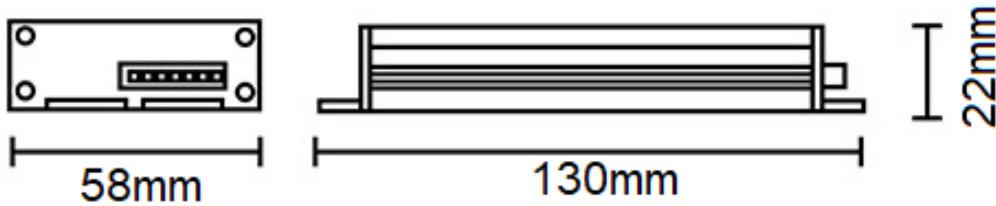
Model	Length (mm)	Width (mm)	Height (mm)
24W	600	77	100
48W	1200	77	100
64W	1500	77	100

LED EMERGENCY KIT SPECIFICATIONS »

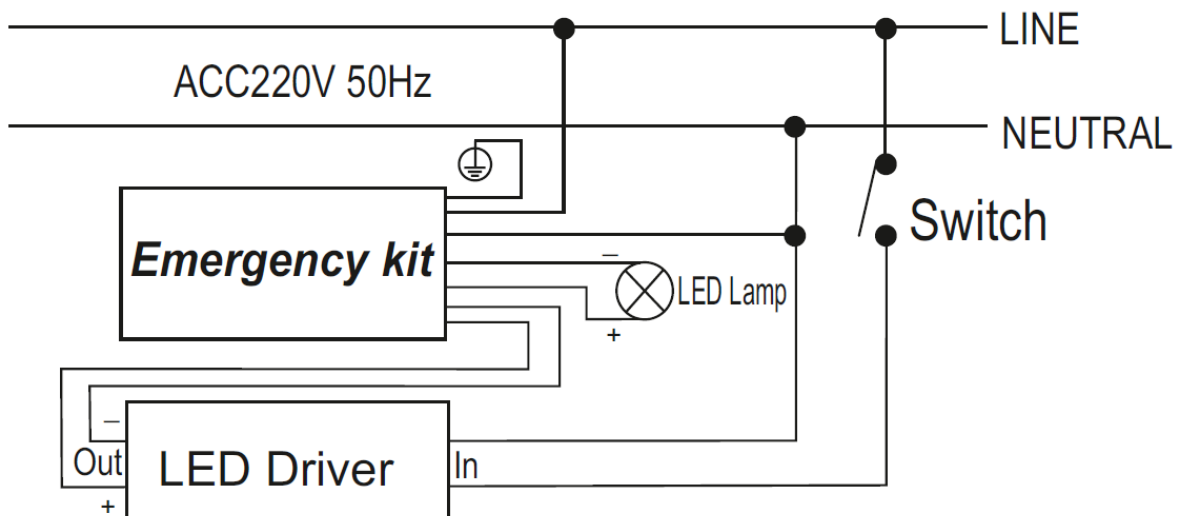


General information »

- ∴ Voltage: AC85-265V 50Hz
- ∴ Emergency Output: 3-40W
- ∴ Emergency Time: 2hrs (120mins)
- ∴ Battery: 3.7V 2400mAh
- ∴ Emergency Switching Time: <2s
- ∴ AC Fuse: 250V 1A
- ∴ DC Fuse: 250V 5A
- ∴ Luminous Flux: >100lm
- ∴ Light Source: LED
- ∴ Working temperature: -10°C +55°C
- ∴ IP Rate: IP30




Wiring diagram




● - It indicates the connection ● Red = Charging ● Blue = Emergency ● Green = Power

ADDITIONAL INFORMATION »




ELMARK
lighting

99OM604024/BL




This luminaire contains built-in LED lamps.



**L
E
D**

The lamps cannot be changed in the luminaire.

874/2012



Accessories

L-corner for LED profiles S77

- White: 99OML/WH
- Black: 99OML/BL
- Grey: 99OML/GR
- size: 450x450mm



Installation accessories for LED profiles

Connector

- Catalogue number: 99ACC50

Suspension wire

- Catalogue number: 99ACC51

Suspension wire with console

- Catalogue number: 99ACC52



Catalogue number	Barcode	Packing/Box (pcs)
99OM604024/BL	3800131212344	1/1
99OM1204048/BL	3800131210272	1/1
99OM1504064/BL	3800131210289	1/1
99OM604024/WH	3800131212757	1/1
99OM1204048/WH	3800131209979	1/1
99OM1504064/WH	3800131210326	1/1
99OM604024/GR	3800131212542	1/1
99OM1204048/GR	3800131210296	1/1
99OM1504064/GR	3800131210302	1/1

