

# ELMARK<sup>®</sup>

The Brand of Electricity

## INDIRECT LED DOWNLIGHTS



### GENERAL INFORMATION »

- ∴ Nominal voltage: 230V/ 50-60Hz
- ∴ Power: 8W; 12W
- ∴ Power supply: Control gear; DC device- driver
- ∴ Light source: Epistar SMD
- ∴ Colour temperature: 4000K
- ∴ Colour body: White
- ∴ Body material: Aluminium
- ∴ Beam angle: 60°
- ∴ Colour rendering index: Ra≥80
- ∴ Switch on/off: >20 000
- ∴ Long life: 30 000h
- ∴ Protection against dust and moisture: IP40
- ∴ Available in variant with an emergency kit

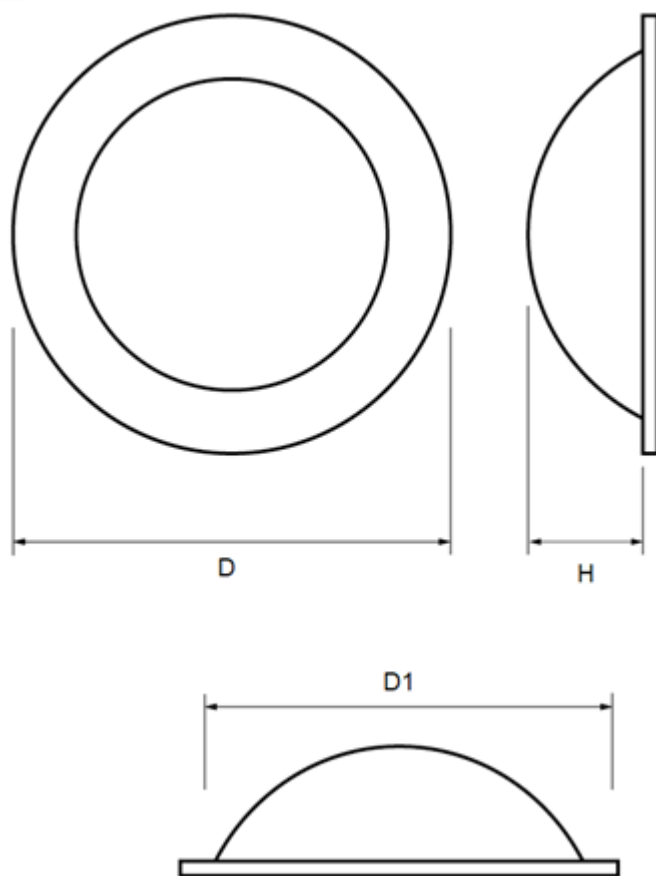
### FEATURES »

- ∴ Superior efficiency, reliability and flexible design.
- ∴ This fitting diffuses the light to give the maximum coverage with minimal glare in living and working spaces.
- ∴ It provides a uniform light in the room and does not create shadows of contrast, and the light is soft and no dazzle
- ∴ Safety, low voltage operation
- ∴ Low power consumption
- ∴ Instant light with maximum luminous flux
- ∴ Environmentally friendly - do not emit mercury and lead
- ∴ No ultraviolet and infrared rays
- ∴ Resistant to shock and vibration
- ∴ Suitable solution for indoor lighting such as offices, shops, residential buildings, hotels, restaurants.
- ∴ Suitable for new construction or for retrofit.

## PRODUCT DETAILS »

Catalogue number	Catalogue number with Emergency kit	Watt (W)	Whole fixture lumens (lm)	Colour temp. (K)	Colour body
92DL840/WH	92DL840/WHE	8	320	4000K	white
92DL1240/WH	92DL1240/WHE	12	480	4000K	white

## DIMENSIONS »



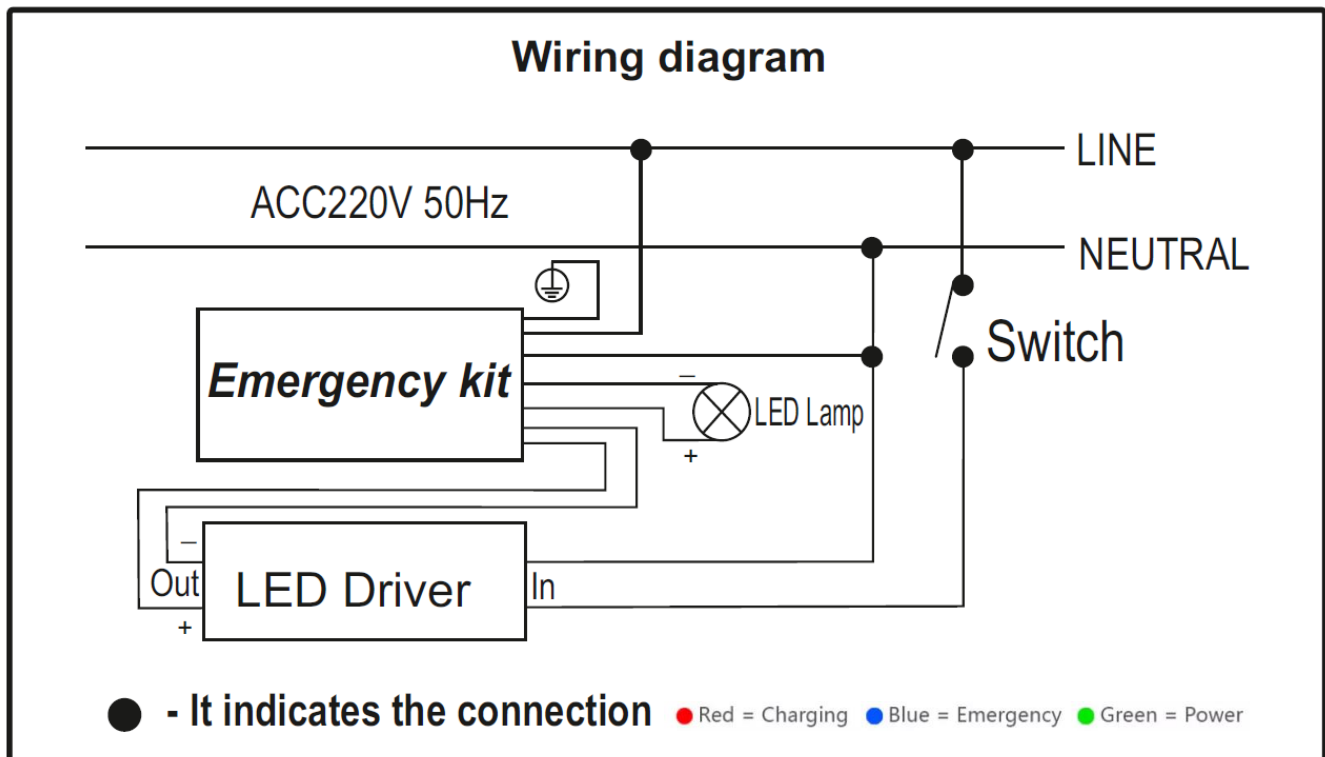
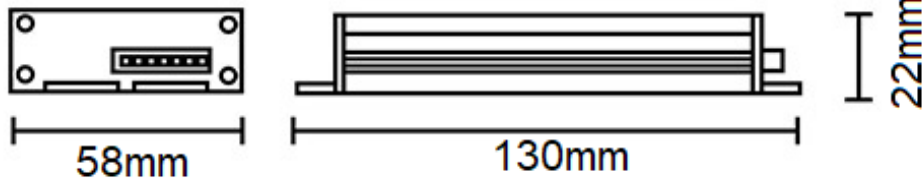
Catalogue number	Diameter (mm)	Height (mm)	Diameter1 (mm)
92DL840/WH	111	35	92
92DL1240/WH	149	45	130

## LED EMERGENCY KIT SPECIFICATIONS »




### General information »


- ∴ Voltage: AC85-265V 50Hz
- ∴ Emergency Output: 3-40W
- ∴ Emergency Time: 2hrs (120mins)
- ∴ Battery: 3.7V 2400mAh
- ∴ Emergency Switching Time: <2s
- ∴ AC Fuse: 250V 1A
- ∴ DC Fuse: 250V 5A
- ∴ Luminous Flux: >100lm
- ∴ Light Source: LED
- ∴ Working temperature: -10°C +55°C
- ∴ IP Rate: IP30



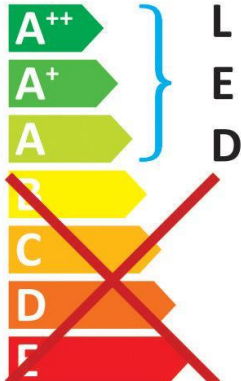
ADDITIONAL INFORMATION »



92DL840/WH  
92DL1240/WH




This luminaire contains built-in LED lamps.



L  
E  
D

The lamps cannot be changed in the luminaire.

874/2012



Catalogue number	Barcode	Packing/Box (pcs)
92DL840/WH	3800131219138	1/1
92DL1240/WH	3800131219145	1/1

