

## TECHNICAL SPECIFICATION

### LED Panel ROUND COLOUR



#### Technical data

- Power: 12W/16W/21W
- Rated voltage: 85V - 265V
- Power supply: control gear, DC device – driver
- LED type: SMD
- Light source: Epistar SMD2016
- Colour temperature: 3500K / 5000K / 6500K
- Protection against dust and moisture: IP40
- Housing: white aluminum frame
- Diffuser: even distribution of lights, without formation of lighter or darker spots
- Installation: built-in
- Long life: 30000 hours
- Power factor:  $\lambda > 0.8$
- Starting time:  $< 0.5s$
- Beam angle:  $120^\circ$
- Colour rendering index:  $Ra \geq 80$

\*The LED panel is made with three types sources of light, with different colour temperatures - 3500K / 5000K / 6500K. Colours are changed via commutation of the electrical switch.

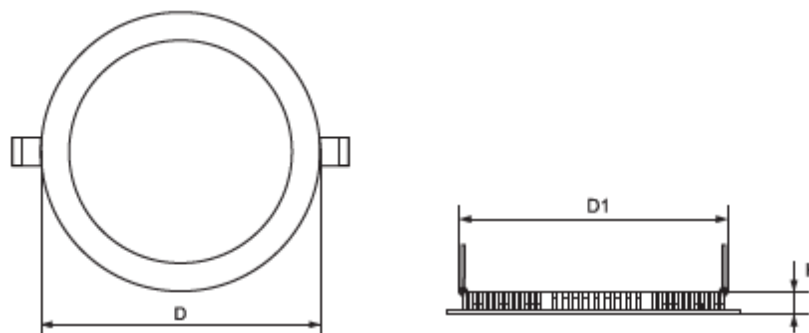
## Areas of application

- Residential and commercial buildings
- Administrative buildings
- Banks
- Hospitals
- Schools

## Product benefits

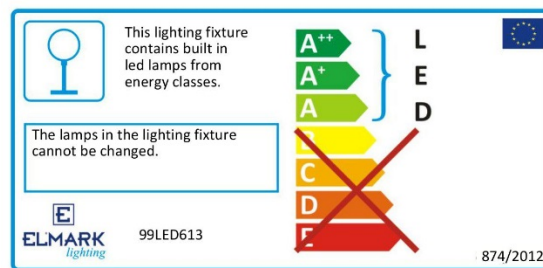
- Completely replace traditional fluorescent lighting
- Safety, low voltage operation
- Installation options: suspended ceilings, artificial walls, pendant mounting
- Emit a very pleasant and even light with very low glare factor due to the diffusion lens
- Low power consumption
- Repeated switch-on/off does not affect the lifespan of the LED panel
- Instant light with maximum luminous flux
- Environmentally friendly - do not emit mercury and lead (RoHS Directive)
- No ultraviolet and infrared rays
- Resistant to shock and vibration

## Variants and dimensions



Watt	LED chip lumens( lm)/ LED (pcs)	Change colour	Colour body	Size			Catalogue number	Packing (pcs)
				D	H	D1		
12W	27 / 120	3500K / 5000K / 6500K	white	145	21	130	99LED613	40
16W	27 / 150	3500K / 5000K / 6500K	white	192	21	175	99LED616	20
21W	27 / 180	3500K / 5000K / 6500K	white	225	21	205	99LED619	20

## Energy efficiency



## Barcodes

Barcode	Catalogue number
3800131183989	99LED613
3800131184016	99LED616
3800131184047	99LED619

## Standards

EN 55015

EN 61000-3-2; EN 61000-3-3

EN 61547

EN 61000-4-2; EN 61000-4-4; EN 61000-4-5; EN 61000-4-8; EN 61000-4-11

EN 60598-1; EN 60598-2-2

